

Motion detector - Professional Line

MD-24 ECO

COM1 - in-ceiling installation

EAN 4007841 087777

Article number 087777



easy
install
magnet

Magnet zur
einfachen
Installation



Infrarot-Sensor
360°



Montagehöhe max.
4 m



Max. ø 24 m



IP20



2 - 1000 Lux



5 Sek - 60 Min

Teach

Teach mode

5 years

Herstellergarantie
steinel-
professional.de/
garantie



CE

Function description

The new 360° IR motion detectors with a range of Ø 8 or Ø 24 m are the more convenient solution for sensor-based standard requirements in public buildings. Ideal for motion detection and light measurement, e.g. in offices, meeting rooms and passageways. With COM1 interface, key input and fully/semi-automatic mode. Configuration and operation via Smart Remote control or potentiometer. Incl. insertable cover caps to limit the detection range. Easy installation, thanks to the modular magnetic plug-in connection. For concealed wiring, surface mounting and recessed ceiling installation. LED feedback for easy commissioning. Mounting height max. 4 m. Parallel switching: (max. 10 sensors). Switching output: 2000 watt or 500 watt (LED). sensNORM-compliant.

MD-24 ECO

COM1 - in-ceiling installation
 EAN 4007841 087777
 Article number 087777



Technical specifications

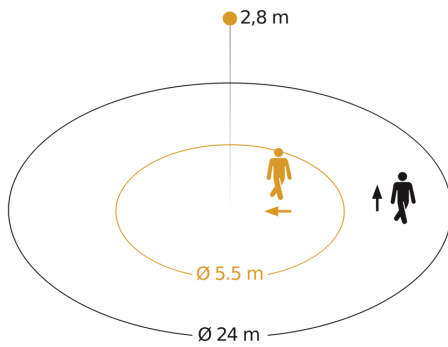
Dimensions (Ø x H)	109 x 114 mm
With motion detector	Yes
Manufacturer's Warranty	5 years
Settings via	Remote control, Smart Remote, Potentiometers
With remote control	No
Version	COM1 - in-ceiling installation
PU1, EAN	4007841087777
Type	Motion detectors
Application, place	Indoors
Application, room	one-person office, function room / ancillary room, Indoors, warehouse
Colour	white
Includes corner wall mount	No
Installation site	ceiling
Installation	In-ceiling installation, Ceiling
IP-rating	IP20
Ambient temperature	-20 – 50 °C
Material	Plastic
Switching output 1, resistive	2000 W
Switching output 1, number of LEDs / fluorescent lamps	50 pcs.
LED lamps > 8 W	500 W
Capacitive load in µF	176 µF

Technology, sensors	passive infrared, Light sensor
Mounting height	2 – 4 m
Mounting height max.	4,00 m
Optimum mounting height	2,8 m
Detection angle	360 °
Capability of masking out individual segments	Yes
Electronic scalability	No
Mechanical scalability	No
Reach, radial	Ø 5.5 m (24 m ²)
Reach, tangential	Ø 24 m (452 m ²)
Switching zones	1436 switching zones
Abdeckmaterial Lieferumfang	shrouds
Functions	Motions sensor, Light sensor, Semi-/ fully automatic, Potentiometer, Relay output, Normal / test mode
Twilight setting	2 – 1000 lx
Time setting	5 s – 60 Min.
Main light adjustable	No
Twilight setting TEACH	Yes
Constant-lighting control	No
Type of interconnection	Master/master
Interconnection via	Cable
Interconnection, number	max. 10 sensors

MD-24 ECO

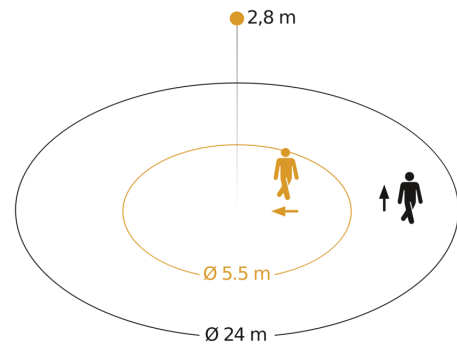
COM1 - in-ceiling installation
EAN 4007841 087777
Article number 087777

Detection Zone 1



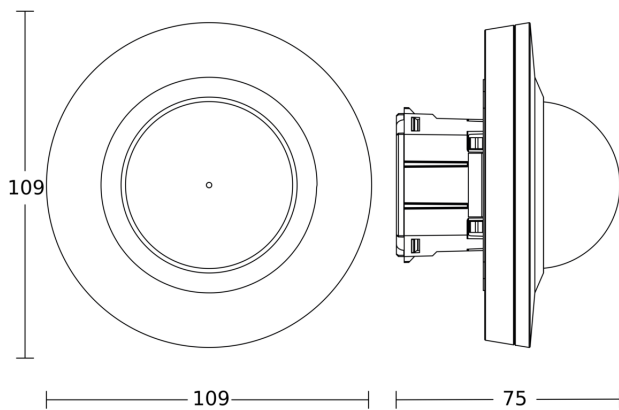
Possible mounting height: 2,00 m - 4,00 m
Orange: radial
Black: tangential

Detection Zone 2

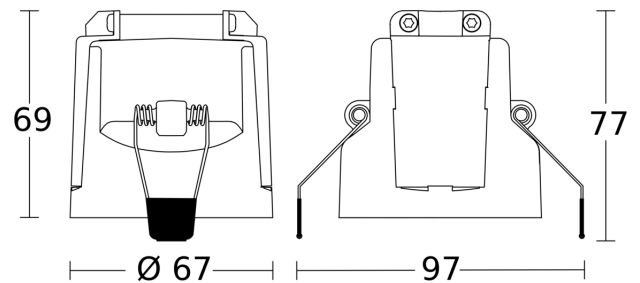


Possible mounting height: 2,00 m - 4,00 m
Orange: radial
Black: tangential

Dimension Drawing 1



Dimension Drawing 2



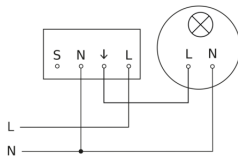
MD-24 ECO

COM1 - in-ceiling installation

EAN 4007841 087777

Article number 087777

Circuit diagram



Circuit diagram for interconnecting several sensors

